

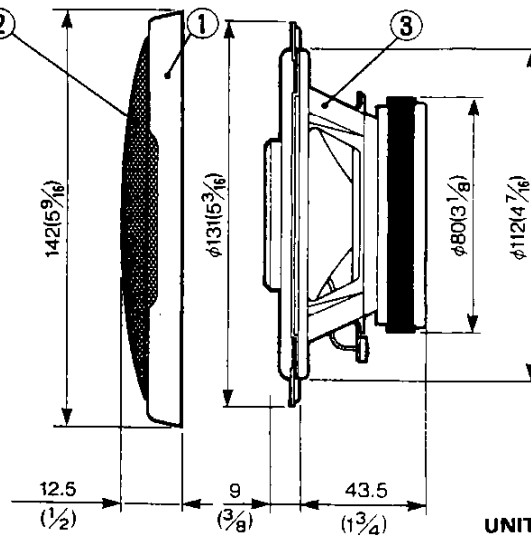
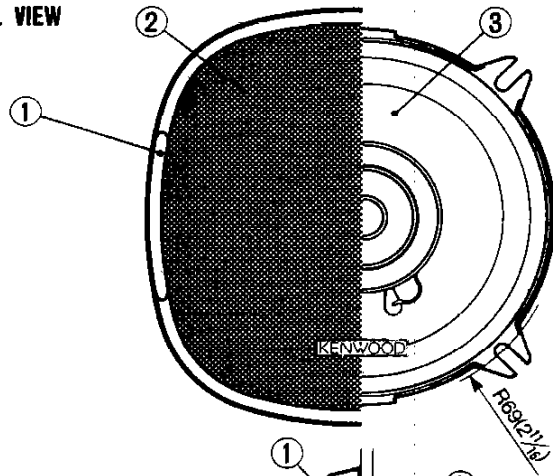
# KFC-1372

## SERVICE MANUAL

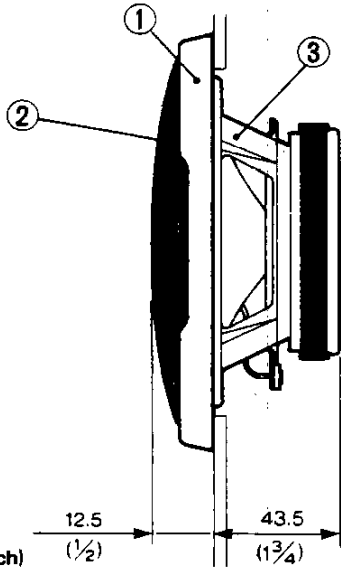
# KENWOOD

©1988-12 PRINTED IN JAPAN  
B51-3769-00(B)1870

**EXTERNAL VIEW**






UNIT: mm (inch)



UNIT: mm (inch)

**PARTS INCLUDED**

-  4.5m(15ft)..... X 2
-   $\phi 4-20(3/16-3/4)$ ..... X 8
-  ..... X 8

**PARTS LIST**

★ New parts  
Parts without **Parts No.** are not supplied.  
Les articles non mentionnés dans le **Parts No.** ne sont pas fournis.  
Teile ohne **Parts No.** werden nicht geliefert.

Ref No.	New Parts	Parts No.	Description
①	★	B06-0318-08	FRONT GRILLE
		B46-0100-10	WARRANTY CARD
②	★	E30-1237-08	CORD SET
		F09-0888-08	PROTECTOR
③	★	N99-1088-08	SCREW SET
		T15-0126-08	SPEAKER

**SPECIFICATIONS**

- Speakers
- Woofers ————— 13cm(5 1/4in) Water proof tretment cone type  
167g(5.9oz) Magnet
  - Tweeter ————— 4cm(1 9/16in) cone type
  - Peak power ————— 50Watts
  - Frequency Response ————— 50Hz ~ 20,000Hz
  - Sensitivity ————— 91dB/W at 1m
  - Impedance ————— 4 ohms
  - Weight per speaker With grille — 0.62kg(1lb 6oz)/pc

We follow a policy of advancements in development.  
For this reason specifications may be changed without notice.